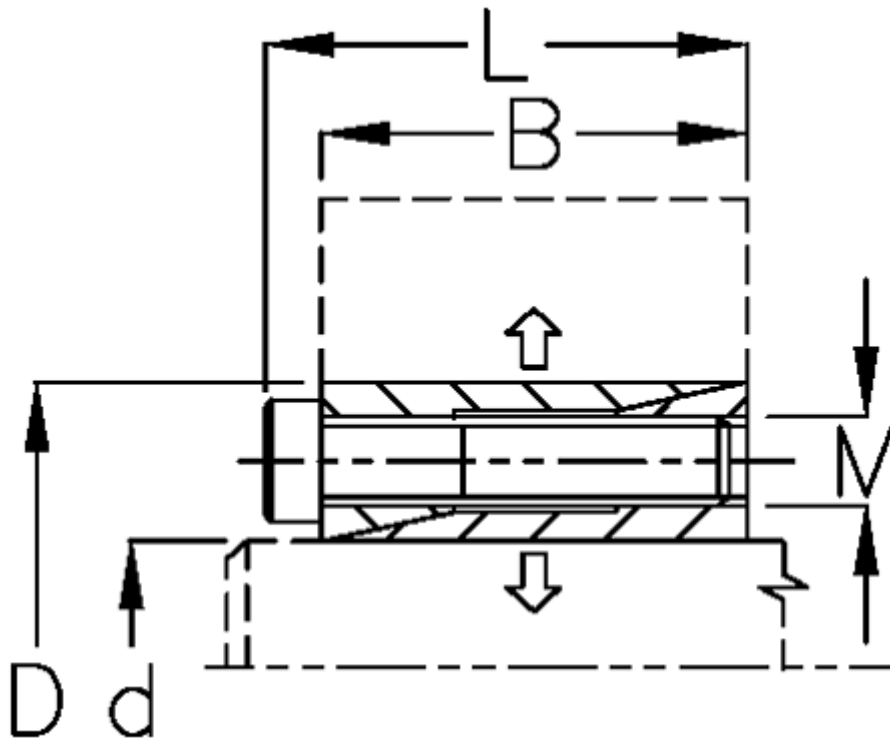


Article number: 435700028

Description: Rota-fix shaft-hub connection K 28x50

Note: Self centering. Medium torque

Measures



B mm	= 26
d mm	= 28.00
D mm	= 50
Fit tolerance	= Aksel h8, Nav H8
F kN torque	= 30.0
L mm	= 32.0
M mm	= M6
P N/mm ² surface pressure on shaft/hub	= 100

Surface roughness	= R? ? 3.2 μ m
T N m torque	= 440
Ts N m bolt tightening torque	= 16.5